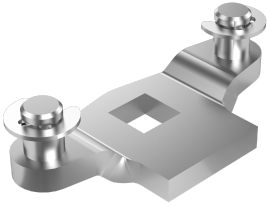


VISION TWO-POINT CAM STEEL



Two-point cams without projection for swing handles. Stroke: 20 mm. Supplied with E-clips.

MATERIAL

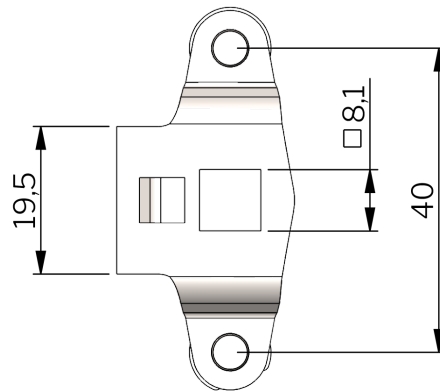
Cam: Steel, zinc plated

RELATED PRODUCTS

Similar products: 1-008.50

Other materials: 1-008.50

Use the Index Code at industrilas.com



P/N	Description	Material
2321S09-00MPU	2-point cam	Steel